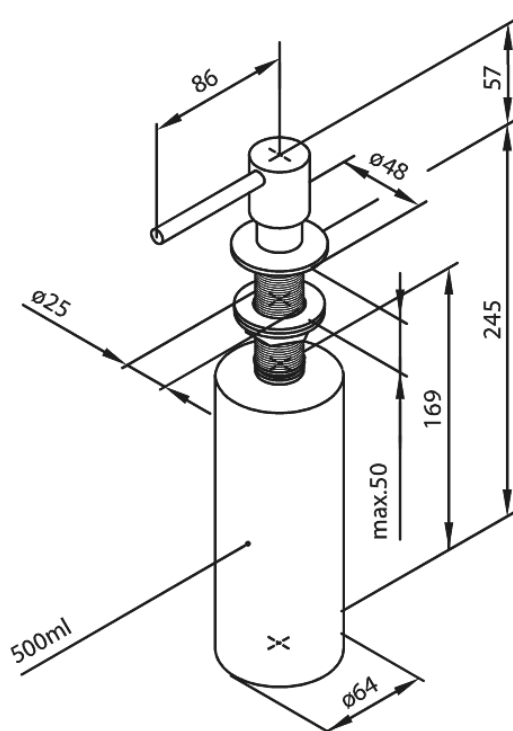


Silhouet

# Soap dispenser

**Article no.:** 484815500  
**Finish:** Graphite Grey PVD  
**Series:** Silhouet

**EAN no.:** 5708516837688



FM Mattsson Denmark ApS  
Hvidkærvej 48, 5250 Odense SV, DK-56416218

+45 88 33 00 34 [damixa-international@fmmattsongroup.com](mailto:damixa-international@fmmattsongroup.com)

Mere information på [damixa.com](http://damixa.com)

**damixa**